

ALSHOR PLUS

ALUMINIUM SHORING SYSTEM



Alshor Plus Leg Tripod - ASX10060 (11.0kg)

Designed to fit the Alshor Plus Jack Stem without damaging the thread, it can be used to stabilise individual legs up to 5.25m in length.

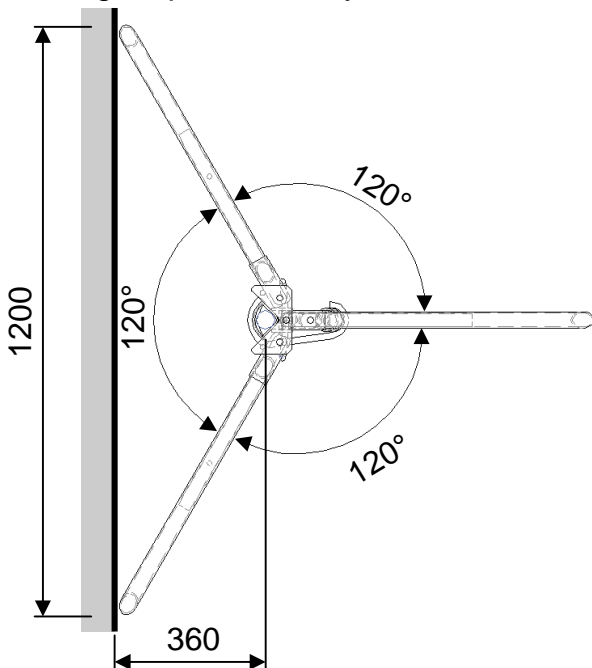
The tripod folds flat for storage, from this position the user rotates each leg and locks them in place with the built in anti-kick locking mechanism. Then the user positions the prop into the Tripod and secures it in place with the built-in stem-lock. The stem-lock is adjusted to fit the prop stem and then tightened with the tap of a hammer.

Although it was developed with Alshor Plus legs in mind, it is capable of holding different sized tubes, with diameters from 48.3mm to 80mm.

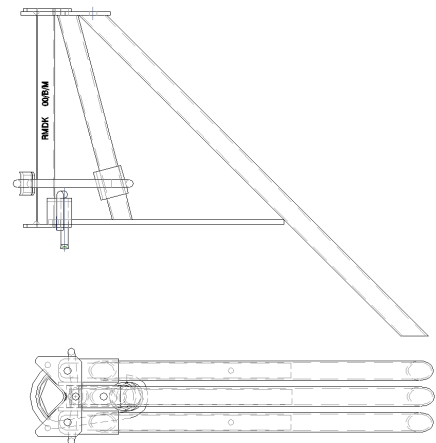


Note: Can only be used with Alshor Plus Legs where jack extension exceeds 685mm.

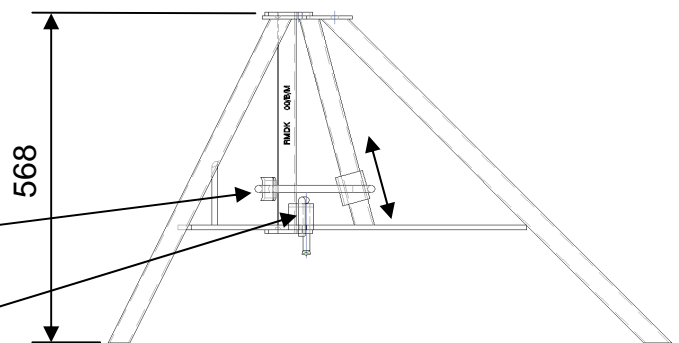
Warning: Tripods are only to be used on a level surface.



Plan



Tripod in Closed Position



Tripod in Open Position

Stem-lock travels down frame of Tripod to accommodate different diameter tubes

Anti-kick locking mechanism